

BELFOR TRAINING CENTER



Coaches,

Welcome to the BELFOR Training Center. We are excited for your team's arrival and we've prepared a short message to better assist you and your families with traveling to Little Caesars Arena for the first time.

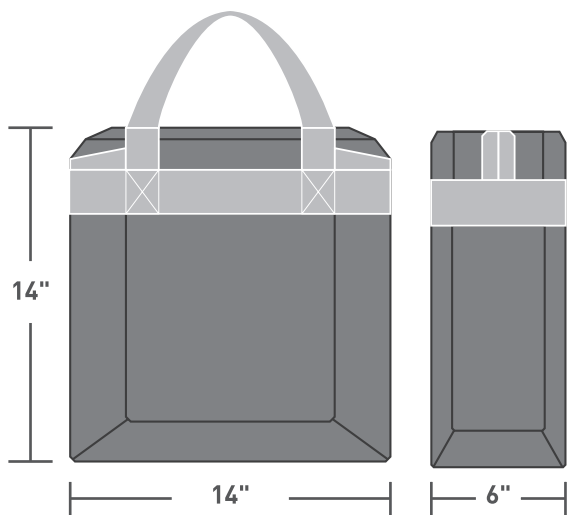
Please Note: We ask that you share this information with all participants on your team to ensure everyone has a comfortable first visit to the new arena.

PARKING

All participating teams and their families are asked to park in the HENRY WEST PARKING GARAGE at 128 Fisher St., Detroit, MI 48201. You can enter the Henry West Parking Garage by turning west on the W. Fisher Service Drive from Woodward Ave.

ENTERING THE BELFOR TRAINING CENTER

Upon exiting the Henry West Parking Garage, walk toward the Chevrolet Plaza (a large outdoor viewing screen will be visible). From there, when looking at the arena, there will be a single door with an awning that reads BELFOR Training Center. Enter through this door where you'll be greeted by arena security. Parents will be assisted down to the Club Level and players will be assisted down to the Event Level.



LITTLE CAESARS ARENA BAG POLICY

The Little Caesars Arena Bag Policy prohibits bags, backpacks and briefcases larger than 14" x 14" x 6" from entering the arena. Hard-sided bags of any kind are also prohibited. Diaper bags and medical bags are permitted. All persons and bags exiting or entering the arena will be subject to inspection.