



Premier NE Showcase
The Courts Facility
(8930 South 137th Cir.)



Equipment

For coaches & teams: Do **not** bring volleyballs and carts into The Courts. Balls and carts will be provided. **All teams will be asked to have their bags stored in a designated area. Teams are not allowed in the Xplosive Edge area as well as the upper level viewing area, children under the age of 18 must be accompanied by an adult.**

Parking:

Please **DO NOT** park in the “Next Level Softball” building parking lot.

Admission Fee

\$10 for Adults (18+); \$5 for Children; \$5 for Senior Citizens (65+). Enter through the front or rear entrance. DOORS open at 7:00am.

Chairs

Spectators are welcome to bring chairs, as long as they have a protective bottom. The Courts has bleacher seating for each court.

Food & Drink

NO COOLERS OR OUTSIDE FOOD AND DRINK WILL BE ALLOWED INSIDE THE COURTS.

Players and spectators will be asked to return food to their cars.

A water bottle/sport drink with a lid for players will be permitted. The Courts Facility will have concessions.

Thank you for your cooperation!

The Courts Volleyball Training Facility Management

Inclement Weather

In case of inclement weather, we will post any cancellations on our website at www.premiervolleyball.org. You can also visit us on Facebook or Twitter, search “Premier Volleyball – Nebraska”.

Premier Volleyball



Premier NE Showcase
 14 Silver - April 21st
 The Courts Facility
 (8930 South 137th Cir.)



Warm Ups

Warm-ups will be 2 minutes of shared court time, followed by 4 min of hitting for the serving team and 4 min of hitting for the receiving team.

Warm-ups can be shortened to 1-3-3 after each team's first match.

Serving is to be completed during each team's court time. **THERE IS NO SHARED SERVING**

Pool play will be 2 sets to 25 points, starting at 7.

Pool A

1. JSSAVC 14 Misti
2. NVA Navy-14
3. LVC 13-1
4. SE Grays 14-2

Pool B

1. NE Elite 14 Vipers
2. LVC 14-1
3. SE Grays 14-1

Time (Approx.)	Court #4	Ref	Court #7	Ref
8:00 AM	A1 vs A3	A2	B1 vs B3	B2
9:00 AM	A2 vs A4	A1	B2 vs B3	B1
	A1 vs A4	A3	B1 vs B2	B3
	A2 vs A3	A4	XXXXX	XX
	CH1) A1 vs B2	B1/A2 split	CO1) A3 vs A4	B3
	CH2) B1 vs A2	Isr CH1	CO2) B3 vs A4	A3
	CH3) Isr CH1 vs Isr CH2	wnr CH2	CO3) A3 vs B3	A4
	CH4) wnr CH1 vs wnr CH2	Isr CH3	XXXXX	XX

CH = Championship Bracket; CO = Consolation Bracket

The top 2 teams from each pool will advance to a Championship bracket.

The remaining teams will advance to a Consolation bracket.

THERE WILL BE NO PLAY-OFF GAMES.

TEAMS WILL BE ASSIGNED TO TOURNAMENTS BY THE FOLLOWING METHOD:

1. BEST SET (games) RECORD
2. HEAD TO HEAD COMPETITION (to include point differential)
3. TOTAL POINT DIFFERENTIAL
4. A COIN TOSS, IF NECESSARY

INDIVIDUAL PRIZES WILL BE AWARDED TO THE FIRST PLACE TEAM IN THE CHAMPIONSHIP BRACKET.

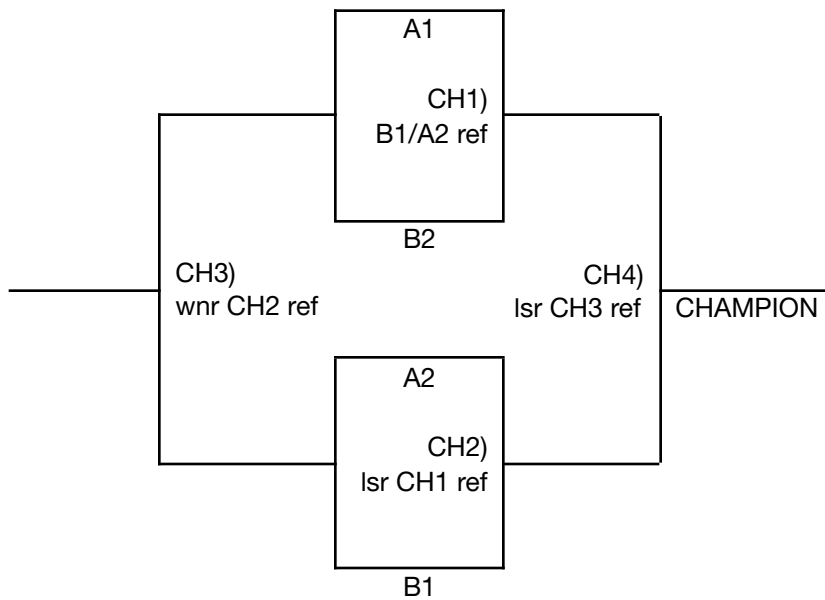


Premier NE Showcase
14 Silver - April 21st
The Courts Facility
(8930 South 137th Cir.)



All tournament matches will be best 2 out of 3 sets to 25 points, starting at 7. Third set 0-15, if necessary.

CHAMPIONSHIP



CONSOLATION

