

**2017**

*2017 League Rules*

## *Mini Code for Coaches*

- Your responsibility is to ensure that players are having “fun”. (Remember children are not miniature professionals)
- Never ridicule or scold a youngster for a mistake. Remember no child intentionally makes a mistake.
- Applaud loudly at a good effort by your team and the opponent.
- Coaching at this level is a collective collaboration. If we all work together, all our youngsters will improve.
- Encourage all youngsters to develop basic skills but remember to be reasonable in your demand on their energy and enthusiasm.

*The following are all guidelines Mini Coaches should follow:*

- Dress appropriately
- Be punctual
- Must be very positive and enthusiastic
- Must be organized
- Must be the most popular coach to their young players
- Personal Conduct (above reproach)
- Understand the rationale for Mini Soccer
- Coach in the game if necessary (Be on the field)

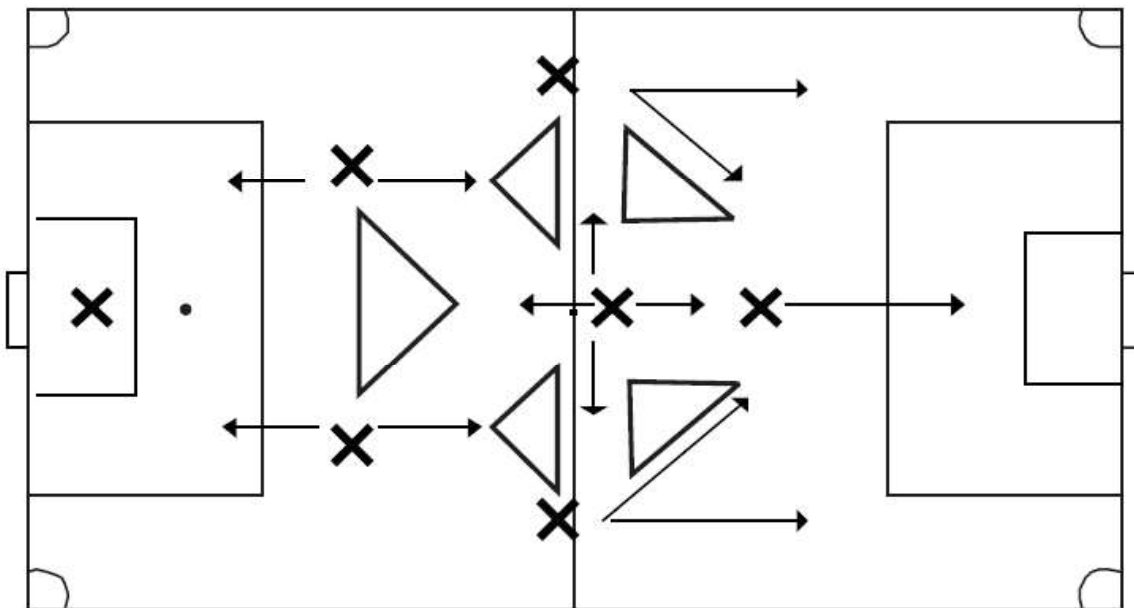
## 2017

### *Mini Soccer and Developing Young Players*

Common sense must prevail in terms of getting kids kicking a ball in an area that will allow them to interact within a game situation. They must be able to touch the ball allowing them situations that will guarantee them the opportunity to grow into the regulation game of full field and 11 v 11. That can only be done by educating them to make decisions, execute a skill, understand their role and enjoy learning this very enjoyable game

Please review the diagram below which shows a typical 7 v 7 set-up and should help to visualize the rationale for the mini game. This format embraces The Ontario Soccer Association's "Possession of the Ball" philosophy.

As you can appreciate triangles are the basic shape for all passing and support movements and so you can understand why it is important to encourage play within a relative environment that will allow children to execute passing and receiving the ball with successful results. 7 v 7 will guarantee that our youngsters understand depth and width naturally which is conducive to the progression into the 11 v 11 game.

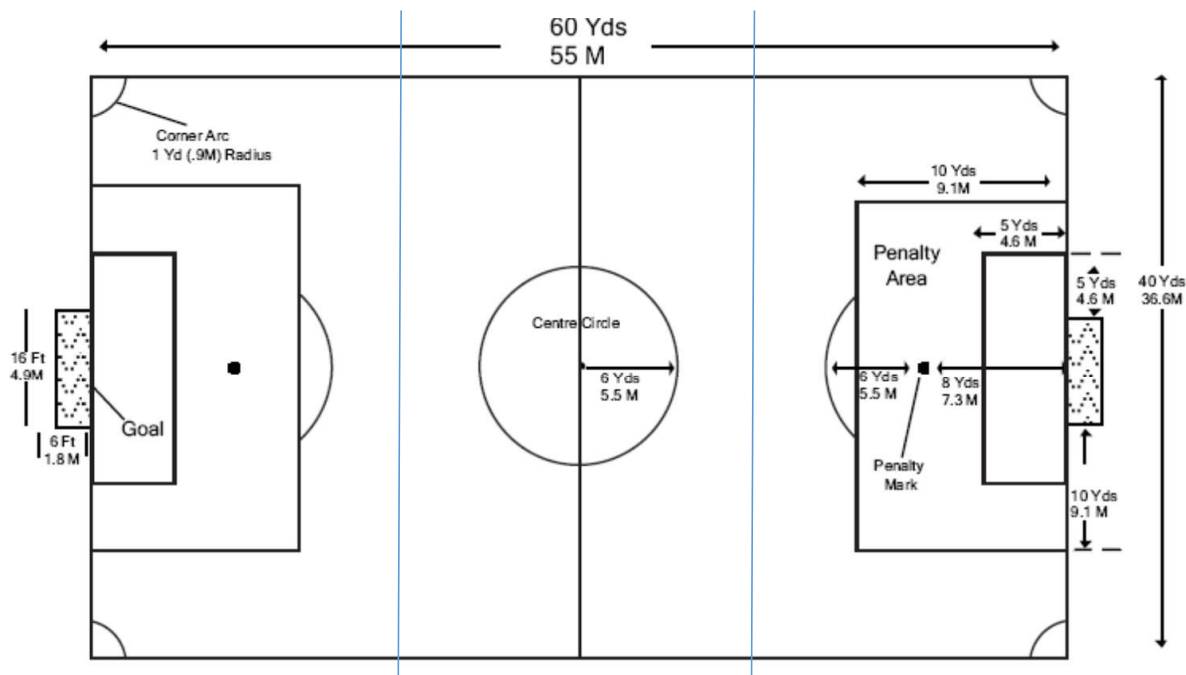


## 2017

### Summary

- 7 v 7 on a mini field will allow more contacts on the ball
- The field is long enough for these young defenders to pass the ball forward past pressure (Long Passing)
- Strikers will have the opportunity to support deep with width capabilities and lateral support (Near and Far Support)
- Goalkeepers have a reduced size of goal allowing most U-10 youngsters to reach the crossbar
- Allows for possession of the ball in a supporting environment for positions (triangles) (Short Passing & Receiving)
- Laws/structure simplified.

### The Mini Field



### MINI SOCCER RULES

#### RULE 1: The Field (U8 and U10)

- Field markings shall be clearly visible and of uniform width of approximately 5 inches (12.7cm). All lines are part of the area they encompass.
- The size of the goals shall be 16 feet (4.9M) wide and 6 feet (1.8M) high.
- The width of the goals shall be measured from the inside of one goal-post to the inside of the other goal-post, and the height from the ground to the underside of the crossbar.
- Whenever possible, goal-nets shall be used.
- Corner-posts shall stand not less than 5 feet (1.5M) from the ground and shall be placed in each corner of the field of play.

## 2017

- Retreat line shall be indicated with paint whenever possible, at 1/3 the length of the field.

### *Off-side*

Off-side rules will be enforced to the best of a referee's abilities for U10 – recognizing that missing assistant referees (linesman) makes enforcement difficult.

**Clear offside violations are expected to be enforced for U10.**

**“Obvious” offside violations such as “cherry-picking” will be enforced for U8 – with more leniency and explanation given to violations.**

1. A player in an offside position is only penalized, if at the moment the ball touches or is played by one of their teammates, and in the opinion of the referee, they are involved in active play by:
  - a. Interfering with play,
  - b. Interfering with an opponent, or
  - c. Gaining an advantage by being in that position
2. There is no offside if a player receives the ball directly from:
  - a. A throw in, or
  - b. A corner kick
3. To ensure that all children have fun and games are fair; obvious “cherry-picking” will be called by referees. (Mainly applies to U8)

### *RULE 2: The Ball*

- The ball shall be spherical and shall be constructed of material which is not dangerous to the players.
- Ball size for U8 and U10 players should be size 4.
- The Home Team shall supply two (2) regulation game balls to the referee prior to the start of the match.

### *RULE 3: Number of Players*

#### *U8 and U10*

- The game shall be played by two teams, each consisting of 7 players, one of whom shall be the goalkeeper.
- A maximum of 14 players can be dressed for a game.
- Unlimited substitution shall be allowed.

## 2017

- Substitutions shall be allowed at stoppages, under the control of the referee.
- Both teams must have at least 7 players to start the game, unless both coaches and the referee agree to play with less. The team with less than 7 players will then play with one player less than the team that had the correct amount of players
- The game should not continue if a team has less than 5 players.
- Teams should make best efforts to have 40% girls on the team (if possible based on registration). Deviation from this will be reviewed by the SMSL executive
- When playing, at least ½ of the female players available should be on the field at all times.
- If there appears to be an issue with the number of females available for the game, coaches should communicate prior to the starting to obtain agreement with the team make-up
- Lack of females is not a reason to forfeit, but a report must be made to the convenor for follow up if necessary.

### *RULE 4: Player's Equipment*

- Players shall not wear anything which endangers themselves or other players. – ie. jewelry
- Basic compulsory equipment shall consist of shorts, socks, shin guards, footwear (non-metal cleats – no baseball style cleats), and a numbered shirt. Goalkeepers must wear colors which are distinguishable from all outfield players and the referee.
- Soft casts are allowed; hard casts are not allowed.
- A player who is asked to leave the field of play because of defective or dangerous equipment may not re-enter the field of play until the referee is satisfied that the equipment is permissible.

### *RULE 5: The Referee*

- The referee appointed to officiate a mini-soccer game will have the full authority to enforce the soccer rules. Rules enforced are based on league rule modifications first, then FIFA rules. Referee decisions regarding facts connected to play are final.
- First choice for the referee should be given to the home town.

### *The referee shall:*

- Enforce the rules of the game.
- Refrain from penalizing in cases where the offending team may gain an advantage.
- Report in writing to the appropriate authority, any misconduct by players, parents, spectators or other persons which takes place on the field of play or its vicinity at any time during the game.
- Control who may enter or leave the field of play.
- Stop the game immediately if a player appears to be injured, bleeding or concussed.
- Signal to start the game, and to restart it after a stoppage.
- Decide if the field of play and all applicable equipment is suitable.

## 2017

- Payment for Referee will be as follows: U8 - \$10.00, U10 - \$15.00 (minimum fees)

### *Referee Assistant: (Not Applicable for U8 and U10)*

- Assistant Referees should be a minimum Ontario Soccer Association (OSA) Level 4 carded (Youth Recreational) Mini Soccer Referees may be used for Assistant Referees.
- Two (2) Assistant Referees must be available for each game, arranged and compensated by the local soccer club, association or organization.
- Payment for Assistant Referees will be \$10.00 each (minimum fees)

### *RULE 6: Duration of the Game*

- Game will start at game time; Referee can wait up to 10 minutes before game is forfeited.
- The duration will be as follows:
  - U8 – 2 – 20 minute halves with 5 minute half time
  - U10 – 2 – 25 minute halves with a 10 minute half time
- Games may be cancelled due to heat warnings issued from EMSA/SWRSA/OSA or 35 degree Celsius by the Convener and will be made by 2:00pm of game day with no question from clubs and or coaches.
- Coaches must notify the scheduled referees.
- Only the referee can cancel play during the game or just prior to the start of the game. Normally this would be due to thunderstorms (lighting present)
- Games cancelled by referee or by weather may be made up at the teams involved at their own discretion.
- Games that are cancelled by league convener will have no need for rescheduling.

### *RULE 7: Start of Play*

- At the beginning of the game, choice of halves shall be decided by the toss of a coin. The team which wins the toss shall decide which goal to attack in the first half. The other team will take the kick-off. At a kick-off, all players shall be in their own half of the field of play. All players opposing the team taking the kick-off shall be not less than 6 yards (5.5M) from the ball until it is kicked-off. The game shall be started by the referee giving a signal. The ball will be in play when it is kicked and moves.
- For any infringement of this rule, the kick-off shall be retaken.
- Should the player taking the kick-off play or touch the ball a second time before it has been played or touched by another player, a free-kick shall be awarded to the opposing team.
- After a goal has been scored, the game shall be restarted by a kick-off, to be taken by a player of the team against which the goal was scored
- After the first half of play, the teams shall change halves and the kick-off shall be taken by a player of the team opposing that which started the game.

## 2017

- For any stoppage not mentioned elsewhere in the rules, the referee shall restart the game by dropping the ball at the place where it was when play was stopped, unless play was stopped in the penalty-area. In this case, the ball shall be dropped on the penalty-area line at the point nearest to where the ball was when play was stopped. The ball shall be in play as soon as it touches the ground.
- A goal may be scored directly from a kick-off.

### *RULE 8 Ball In and Out of Play*

#### **The ball is OUT of play:**

- When the whole of the ball has crossed the goal-line, or touch-line, whether on the ground or in the air.
- When the play has been stopped by the referee.

#### **The ball is IN play:**

- At all other times including when it rebounds into play from a goal-post, a cross-bar, or a corner flag post, or referee and remains in the field of play.

### *RULE 9: Method of Scoring*

- A goal is scored when the whole of the ball has crossed over the goal-line, between the goal-posts and under the cross-bar, provided it has not been thrown, carried or intentionally propelled by hand or arm, by a player of the attacking team, except by a goalkeeper from within his own penalty-area.
- The referee shall be the sole judge as to whether a goal has been scored.
- During the course of play, should any outside agent prevent the ball from passing into the goal or assist the ball into the goal, play shall be stopped. The referee shall restart the game by dropping the ball.

### *RULE 10: Free-kick*

- For any infringement of the mini-soccer rules when the ball is in play, the referee may award a free-kick to the non-offending team. The free-kick shall be taken from the place where the infringement occurred, unless the free-kick is awarded to the attacking team within its opponents' penalty-area. In this case, the penalty-kick shall be taken from the penalty-mark.
- At the taking of a free-kick, the ball shall be stationary and all opponents shall be not less than 6 yards (5.5M) from the ball until it has been kicked. The ball shall be in play when it is kicked and moved.
- A player taking a free-kick within his own penalty-area shall kick the ball into play beyond the penalty-area. The ball shall be in play when it has been kicked and moved and has passed outside the penalty-area. All opponents shall be outside the penalty-area and not less than 6 yards (5.5M) from the ball until it has been kicked. For any infringement of this rule, the free-kick shall be retaken.

## 2017

- A player taking a free-kick shall not play or touch the ball a second time until it has been played or touched by another player. For any infringement of this rule, a free-kick shall be awarded to the opposing team.
- A goal may be scored directly from a free-kick
- An indirect kick is awarded to the opposing team for the following goalie violations:
  - Takes more than 6 seconds to release the ball while controlling the ball with their hands,
  - Touches the ball with their hands after the ball has been released from their possession and has not touched another player
  - Touches the ball with their hands after the ball is deliberately kicked to them by a teammate, or
  - Touches the ball with their hands after receiving a ball directly from a throw-in taken by a teammate.

### *RULE 11: Penalty-kick*

- A penalty-kick shall be taken from the penalty-mark. All players, with the exception of the defending goalkeeper and the player taking the kick, shall be outside the penalty-area but within the field of play, not less than 6 yards (5.5M) from the ball until it has been kicked.
- The goalkeeper shall remain on his own goal-line facing the kicker, and between the goal-posts, until the ball has been kicked.
- The player taking the penalty-kick must kick the ball forward. The ball shall be in play when the ball is kicked and moves forward. The player shall not play or touch the ball a second time until it has been played or touched by another player.
- If necessary, the time of play shall be extended to allow a penalty-kick to be taken.

#### **For any infringement of this rule:**

- By a member of the defending team, the kick shall be retaken if a goal has not been scored.
- By a member of the attacking team, if a goal is scored it shall be disallowed and a free kick awarded to the defending team, to be taken from the place where the infringement occurred.
- By a member of both teams, the kick shall be retaken whether a goal has been scored or not.
- If, after the kick has been taken, the ball or the goalkeeper is interfered with by an outside agent, the kick shall be retaken.

### *RULE 12: Fouls and Misconduct*

A player, who, in the opinion of the referee, intentionally commits any of the following offences, shall be penalized by the awarding of a free-kick to the opposing team:

- Spits at an opponent
- Kicks or attempts to kick an opponent
- Trips or attempts to trip an opponent
- Jumps at an opponent

## 2017

- Charges an opponent
- Strikes or attempts to strike an opponent
- Holds an opponent
- Vulgar or racial comments
- Pushes an opponent
- Handles the ball deliberately, (except a goalkeeper from within his own penalty area)
- Tackles an opponent to gain possession of the ball, making contact with the opponent before touching the ball
- To discourage unsportsmanlike conduct and to prevent potential conflicts, coaches and team players must locate themselves of the OPPOSITE side of the field from the spectators during all games. Coaches are responsible for ensuring that parents and other spectators are aware and comply with this rule
- It is the decision of the referee as to whether a foul or misconduct has occurred. Coaches, players and spectators do not have the right to question whether an offense is called by the referee. Harassment of the referee will result in the removal of the coach, player or spectator from the game.
- Should a player commit one of the above offences within his own penalty-area, a penalty-kick shall be awarded.
- A Disciplinary Committee is made up of the President, and two other town contacts not involved in the issue. If the discipline in question involves the town that the President represents, the Vice President will represent the President on the committee.
- Any unresolved complaint to be official and requiring action must be put in writing and sent to the President. The complaint must precisely state the problem. The Disciplinary Committee must review within 10 days and may decide to interview those involved in the issue; these interviews will take place as soon as possible. Information regarding the incident will not be provided to the individuals involved prior to the interview.
- The final decision will be made by the Disciplinary Committee within 21 days of the infraction. The concerned individuals will be advised of the decision and rationale. Guidelines will be available for the committee.
- Any disputes between coaches must be settled by the Convenor of the League; if this is not possible, the convenor shall elevate to the disciplinary committee.

## 2017

### *RULE 13: Throw-In*

#### **Throw-in**

- When the whole of the ball has crossed the touch-line, either on the ground or in the air, the ball shall be thrown-in from the point where it left the field of play, by a member of the team opposing that of the player who last played or touched it.
- The player taking the throw-in shall:
  - a. Face the field of play
  - b. Have part of each foot on the touch line or on the ground outside the touch line,
  - c. Use both hands, and
  - d. Deliver the ball from behind and over her/his head.
- If the player fails to throw the ball in correctly (U8, U10), she/he shall be permitted a second attempt. If the second attempt is unsuccessful, a throw-in shall be awarded to the opposing team.
- The ball will be in play immediately after it enters the field of play.
- If the player taking the throw-in plays or touches the ball a second time before it has been played or touched by another player, a free-kick shall be awarded to the opposing team.
- At the taking of a throw-in, all opponents must be at least 2 meters from the ball.
- A goal may not be scored directly from a throw-in.

### *RULE 14: Goal-kick*

- When the whole of the ball has crossed the goal-line, either on the ground or in the air, excluding that portion between the goal-posts, having last been played or touched by a member of the attacking team, a goal-kick shall be awarded to the defending team. The ball shall be kicked into play from a point within that half of the penalty area nearest to where the ball crossed the goal-line.
- A goalie kick (i.e. goal keeper receives the ball with his hands, places it for a kick) does NOT follow the rules of a goal-kick as the ball is considered IN PLAY and it is not a re-start.
- All opponents must be behind the retreat line and cannot cross the retreat line until the ball is touched by a player of the team taking the goal kick or if it leaves the field of play or crosses the retreat line
- The retreat line should be marked at the 1/3 point of the field with 1. Painted lines on the field, or 2. field markers outside the field of play.
- If the player taking the goal-kick plays or touches the ball a second time before it has been played or touched by another player, a free-kick shall be awarded to the opposing team.
- A goal may be scored directly from a goal-kick.

## 2017

### *RULE 15: Corner-kick*

- When the whole of the ball has crossed the goal-line, either on the ground or in the air, excluding that portion between the goal-posts, having last been played or touched by a member of the defending team, a corner-kick shall be awarded to the attacking team.
- The corner-kick shall be taken from within the corner-arc nearest to where the ball crossed the goal-line. All opponents shall be not less than 6 yards (5.5M) from the ball until it has been kicked. The ball is in play when it is kicked and moves.
- If the player taking the corner-kick plays or touches the ball a second time before it has been played or touched by another player, a free-kick shall be awarded to the opposing team.
- A goal may be scored directly from a corner-kick.

### *RULE 16: Handshake*

- Handshake will take place after the game only. Spitting on hand or foul language is an automatic Yellow card. Handshake includes referees, coaches, and parents. Referee must oversee handshake and stay on the field until all children are gone.

### *Rule 17: Score Reporting*

- Scores of games will not be reported as required by OSA Long Term Player Development standards.
- All teams participating in the Year end festival will be seated by “the draw of the hat”. No scores are taken during the year, therefore none will be taken with the festival. This is a fun day to celebrate the end of season and to have everyone in one location to receive medals for successfully completing the season.